

# ILT CaseLight



CaseLight is DLC Listed!

## LED Refrigerated Case Lighting System

### Make Your Prepared Foods POP With CaseLight™ LED Modules!

- **Easily Replace Existing Cooler/Freezer Display Case Fluorescent Lights**
- **Easy Mounting Using TEK Screws or VHB Foam Tape When Space is Limited**
  - **No Need to Empty Shelves!**
- **Lower Energy Bills and No Burned Out Bulbs!**
- **Long Fixture Life - YEARS vs. Weeks/Months**
- **Low Maintenance-5 Year Warranty on CaseLight Modules & Power Supplies**
- **CaseLight Modules Made in the USA**

Improving on the success of ILT's previous CaseLight modules for refrigerated/freezer display cases, ILT's new, more efficient CaseLight module has even lower power consumption and higher overall optical performance for your reach-in coolers and freezers. For Retrofit or New cases, ILT CaseLight can be installed easily and cost-effectively.

LED-based CaseLight modules provide all of the advantages of LED-based lighting including much longer life, much lower energy consumption and much better lighting characteristics.

Brighter light focused on the merchandise!

**Over 50 YEARS of ILT Lighting Experience  
Goes Into Every CaseLight**

**ILT INNOVATIONS**



# Model Number Key

	Length	Finish	Color/CCT	Configuration
<b>Typical Model Number</b>	ILT36 -	BAO -	W30	CE
<b>Options</b>	36 (36")	BAO (Brite Anodized)	30 (3000K)	CE (Center, External Power Supply)
	48 (48")		35 (3500K)	LE (Left End, External Power Supply)
	60 (60")		40 (4000K)	RE (Right End, External Power Supply)
	70 (70")		50 (5000K)	

## Technical Specifications

Model Number	Description	Lumens	Energy (Watts)	Lumens/Watt	CRI (Typical)
ILT36-BAO-W__CE	36", Brite Anodize, Center unit	927	9.9	93.6	82
ILT36-BAO-W__LE or RE	36", Brite Anodize, Left or Right unit	459	4.9	93.6	82
ILT48-BAO-W__CE	48", Brite Anodize, Center unit	1,385	14.8	93.6	82
ILT48-BAO-W__LE or RE	48", Brite Anodize, Left or Right unit	693	7.4	93.6	82
ILT60-BAO-W__CE	60", Brite Anodize, Center unit	1,853	19.8	93.6	82
ILT60-BAO-W__LE or RE	60", Brite Anodize, Left or Right unit	927	9.9	93.6	82
ILT70-BAO-W__CE	70", Brite Anodize, Center unit	2,312	24.7	93.6	82
ILT70-BAO-W__LE or RE	70", Brite Anodize, Left or Right unit	1,161	12.4	93.6	82

L70 data for the ILT CaseLight fixture is greater than 50,000 hours for lumen maintenance. TM-21 calculations show L70 lumen maintenance data will exceed 78,000 hours. Please contact ILT for a copy of the TM-21 report.

## Power Supplies

LT-LPF-40-24

40 Watt, UL Class 2, 100-277VAC input, 24VDC output

ILT-CEN-60-24

60 Watt, UL Class 2, 100-277VAC input, 24VDC output

ILT-PSUGEN100WU

100W, UL Class 2, 120-277VAC input, 24VDC output

Rev. D (May 2018)

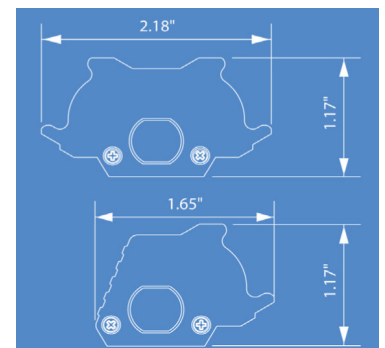


**InternationalLight**  
TECHNOLOGIES

10 Technology Drive, Peabody, MA 01960

978-818-6180 978-818-6181 fax

www.intl-lighttech.com



Specifications subject to change without notice.

International Light Technologies