

# "ASCENT" Series ILT-2X2



## ILT INNOVATIONS

Products • Capabilities • Applications

**InternationalLight**  
TECHNOLOGIES

International Light Technologies has provided innovative design and engineering solutions for LED lighting applications for over 45 years. Let us provide you the quality, performance and cost effective LED solutions you require.

### Applications:

- Channel Letters: face and halo.
- Internally Illuminated Sign Cabinets
- Architectural Lighting.
- Cove and Accent Lighting.

### Features:

- 4 SMD LED's per module.
- 3 modules per ft, 10ft per strip to minimize cost.
- Low profile-under 1/4 inch.
- 3M VHB double faced tape.
- Mechanical fasteners for a secure installation included.
- Low power draw, able to power 90 white modules on a 12 volt 60 watt power supply.
- Conformal coated board under protective PVC housing to insure water-resistance. UL
- Listed in US and Canada.



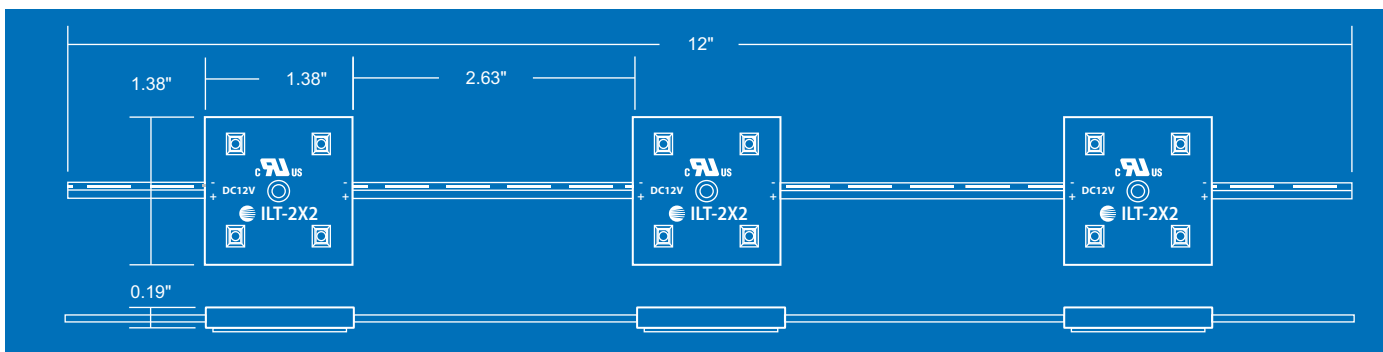
ILT-2X2-W



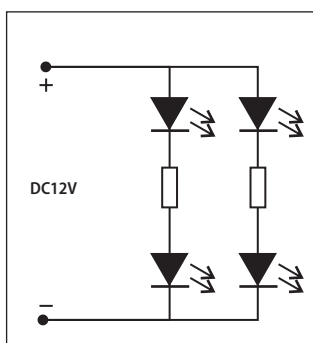
### Specifications:

PART #	Description	Operating Voltage	Current (mA)	Wattage	LED's / Module	Color Peak Wavelength (nm)	Beam Angle	Module Dimensions (LxWxH)	Luminous Flux (lm/ft)	Qty 60 watt class 2 power supply
	See Ascent "Gen 2" for White									
ILT-2X2-R	Red SMD LED Module	12V	40	0.48	4	Red (623)	140	1.38"x1.38"x0.19"	38	120 modules
ILT-2X2-A	Amber SMD LED Module	12V	40	0.48	4	Red (609)	140	1.38"x1.38"x0.19"	17	120 modules
ILT-2X2-Y	Yellow SMD LED Module	12V	40	0.48	4	Yellow (590)	140	1.38"x1.38"x0.19"	18	120 modules
ILT-2X2-G	Green SMD LED Module	12V	40	0.48	4	Green (520)	140	1.38"x1.38"x0.19"	30	120 modules
ILT-2X2-B	Blue SMD LED Module	12V	40	0.48	4	Blue (465)	140	1.38"x1.38"x0.19"	18	120 modules

### Mechanicals:



### Circuit Diagram:



For additional information call:  
Joe Reis at **978-818-6180** ext 214  
For a Quote and Population layout send PDF drawings to:  
jreis@intl-lighttech.com  
To order online go to: **intl-lighttech.com**.

10 Technology Drive Peabody, MA 01960  
978-818-6180, fax 978-818-6181 [www.intl-lighttech.com](http://www.intl-lighttech.com)

